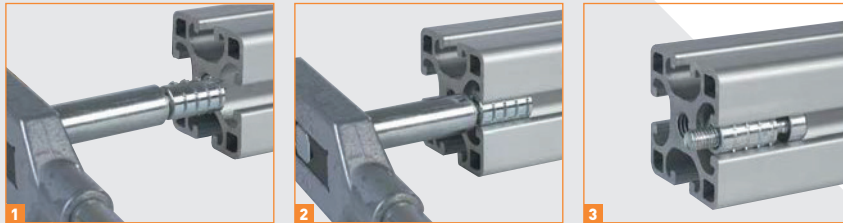
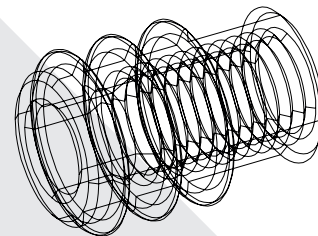
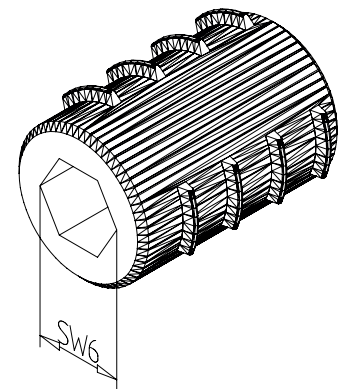


Bajonet Connector BAV

For Profiles with 8 and 10mm T-Slots



- 1) Mount the BAV onto a SW6,0 punch and insert it into the T-slot until the punch touches the strut
- 2) Now, using a tap wrench, turn it 60° to the left until the three notches are spread out evenly
- 3) The notches are slightly compressed, thus preventing rotation of the BAV when tightening the screw



Advantages

- Easy assembly WITHOUT the need to machine-treat the struts
- Time and cost savings due to quick assembly
- Pre-assembled connector for immediate application
- Twist-proof connection (use of BAVs in pairs is recommended)
- Force- and form fit connection
- Can be inserted into existing structures - no need for disassembly
- Re-positionable / adjustable within an existing structure
- ESD capable
- For use with all popular profiles
- Flexible positioning within the section
- Simple, vertical assembly
- Patented Allfest-product
- QUICKLY – EASILY – ECONOMICALLY ASSEMBLED!

Application

The bayonet connector BAV is intended for heavy-duty connections of aluminium struts with 8 and 10mm T-slots with suitable T-slot shape and material strength.

Tools required

- Screw-tool SW6,0
- Standard Allen Key SW5