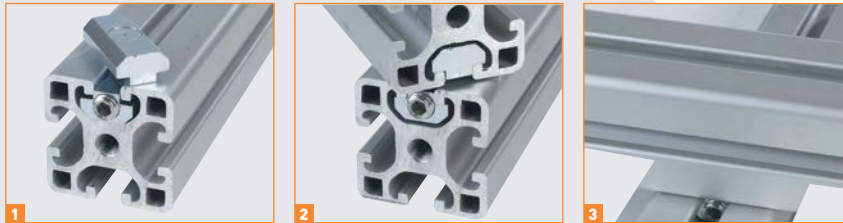
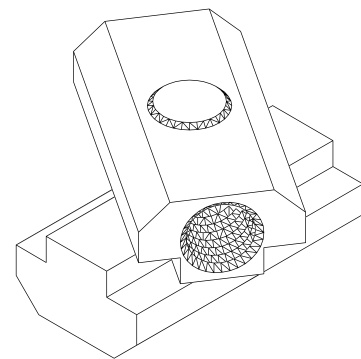


Parallel Connector PVB

For Profiles with 8 and 10mm T-Slots



- 1) After loosening the DIN 914 screw, slide the lower part of the PVB into section 1.
- 2) Slide the second part of the PVB into the required slot of the second strut.
The struts can now be moved into any position.
- 3) Once the sections are in their required positions, simply tighten the screws.
Dismantling – Loosen the DIN 914 screw and slide out the PVB



Advantages

- Easy assembly WITHOUT the need to pre-treat the struts
- Time and cost savings due to quick assembly
- Pre-assembled connector for immediate application
- Re-positionable / adjustable within an existing structure
- For use in cross-connections
- For use with all popular profiles
- For flexible positioning within the strut
- Protected Allfest-product
- QUICKLY – EASILY – ECONOMICALLY ASSEMBLED!

Application

The plug-in connector PVB is intended for light duty connections of aluminium sections with T-slots of 8 and 10mm. The sections may be turned and moved into any position.

Tools required

- Standard Allen Key SW4