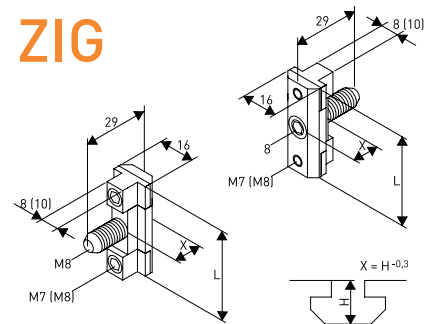


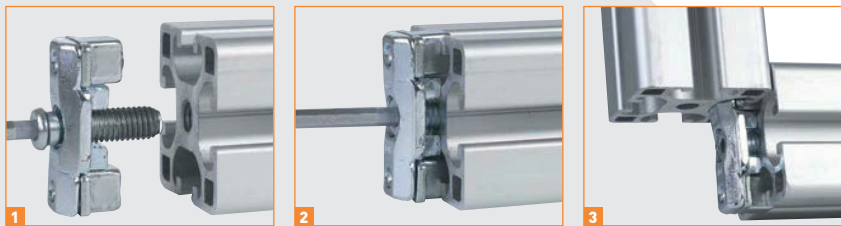
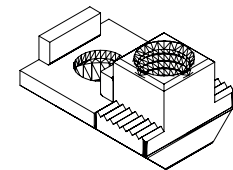
## Mega Connectors ZIG & ZIG-A

For Profiles with 8  
and 10mm T-Slots

### ZIG



### ZIG-A



- 1) Fit the ZIG / ZIG-A into the central core of the first strut
- 2) Tightly secure the ZIG / ZIG-A with the screw
- 3) Slot section 2 onto the ZIG / ZIG-A and tighten set screws in the desired position

### Advantages

- Easy assembly WITHOUT the need to pre-treat the struts
- Time and cost savings due to quick assembly
- Pre-assembled connector for immediate application
- Twist-proof connection
- Notching of the panel elements is no longer necessary
- Force- and form fit connection
- Re-positionable / adjustable
- ESD capable
- For use with all popular profiles
- Flexible positioning within the strut
- Also suitable for the connection of larger profiles (80mm, 90mm, 100mm)
- Patented Allfest-product
- QUICKLY – EASILY – ECONOMICALLY ASSEMBLED!

### Application

The mega-connectors ZIG and ZIG-A are intended for heavy-duty connections of aluminium sections with 8 and 10mm T-slots. They are ideal for use in sections with a thin-walled core.

### Tools required

- Standard Allen Key SW4