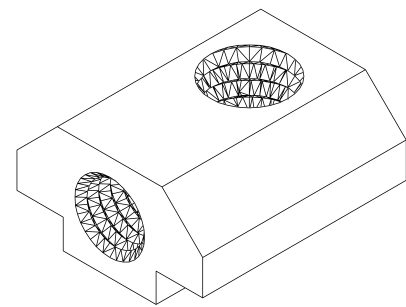


- 1) Lightly fix the ZV into the central core of the first strut
- 2) Slot section 2 onto the ZV and tighten set screw

## Core Connector ZV

For Profiles with 8  
and 10mm T-Slots



### Advantages

- Easy assembly WITHOUT the need to pre-treat the struts
- Time and cost savings due to quick assembly
- Pre-assembled connector for immediate application
- One of the sections remains turnable.
- Notching of panel elements is no longer necessary
- Force- and form fit connection
- Re-positionable / adjustable within an existing structure
- For use with all popular profiles
- Flexible positioning within the section
- Protected Allfest-product
- QUICKLY – EASILY – ECONOMICALLY ASSEMBLED!

### Application

The core connector ZV has been developed for heavy duty connections of aluminium profiles with 8 and 10mm T-slots. One section can hereby be turned into any direction, thus allowing for specific requirements. The T-slots of two opposing sides remain free, allowing for the insertion of panel elements. It's perfect for building closed boxes.

### Tools required

- Standard Allen Key SW4